



**PAIRUI**

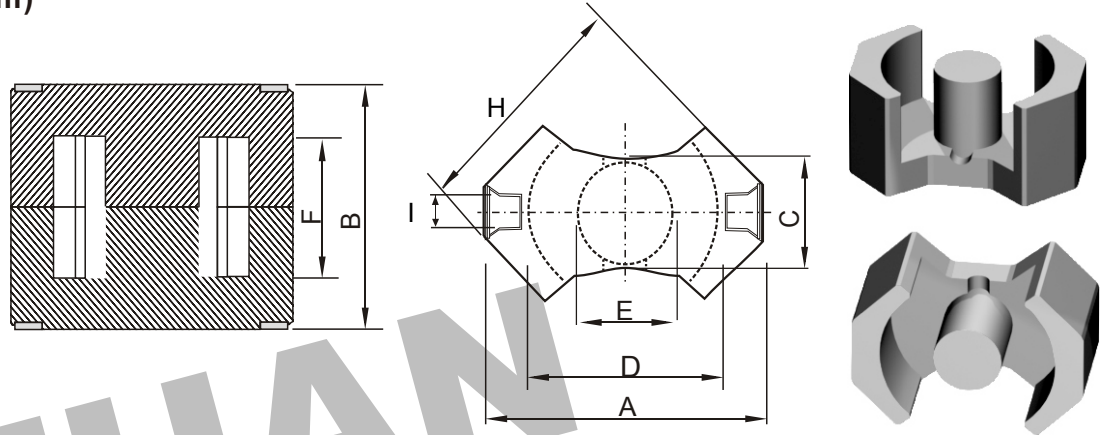
**FUAN**

**SPECIFICATION**

**RM 10**

**Dimension: (UNIT:mm)**

|   |              |
|---|--------------|
| A | 27.85 ± 0.65 |
| B | 18.6 ± 0.1   |
| C | 13.25 ± 0.25 |
| D | 21.65 ± 0.45 |
| E | 10.7 ± 0.2   |
| F | 12.7 ± 0.3   |
| H | 24.15 ± 0.55 |
| I | 5.1±0.1      |



**Test conditions**

AL: F=10.0KHz U=0.3V N=10Ts

**Effective parameter**

| C1(mm) <sup>-1</sup> | Ae(mm <sup>2</sup> ) | Le(mm) | Ve(mm <sup>3</sup> ) | Weight(g) |
|----------------------|----------------------|--------|----------------------|-----------|
| 0.462                | 96.6                 | 44.6   | 4310                 | ≈22       |

Core sets for general purpose transformers and Power applications.

Clamping force for Al measurements,60+/-20N.

| Grade      | AL (nH)    | μ e    | AIR GAP μ m | Type number |
|------------|------------|--------|-------------|-------------|
| P3         | 160 ± 3%   | ≈ 59   | ≈ 980       | RM10-P3     |
|            | 250 ± 3%   | ≈ 92   | ≈ 570       | RM10-P3     |
|            | 315 ± 3%   | ≈ 116  | ≈ 430       | RM10-P3     |
|            | 400 ± 3%   | ≈ 147  | ≈ 330       | RM10-P3     |
|            | 630 ± 3%   | ≈ 232  | ≈ 190       | RM10-P3     |
| 4500 ± 25% | ≈ 1650     | ≈ 0    | RM10-P3     |             |
| P4         | 160 ± 3%   | ≈ 59   | ≈ 980       | RM10-P4     |
|            | 250 ± 3%   | ≈ 92   | ≈ 570       | RM10-P4     |
|            | 315 ± 3%   | ≈ 116  | ≈ 430       | RM10-P4     |
|            | 400 ± 3%   | ≈ 147  | ≈ 330       | RM10-P4     |
|            | 630 ± 3%   | ≈ 232  | ≈ 190       | RM10-P4     |
| 4500 ± 25% | ≈ 1650     | ≈ 0    | RM10-P4     |             |
| HQ2KA      | 4050 ± 25% | ≈ 1680 | ≈ 0         | RM10-HQ2KA  |
| HQ2K       | 160 ± 3%   | ≈ 59   | ≈ 980       | RM10-HQ2K   |
|            | 250 ± 3%   | ≈ 92   | ≈ 570       | RM10-HQ2K   |
|            | 315 ± 3%   | ≈ 116  | ≈ 430       | RM10-HQ2K   |
|            | 400 ± 3%   | ≈ 147  | ≈ 330       | RM10-HQ2K   |
|            | 630 ± 3%   | ≈ 232  | ≈ 190       | RM10-HQ2K   |
| 4050 ± 25% | ≈ 1490     | ≈ 0    | RM10-HQ2K   |             |
| P5         | 3100 ± 25% | ≈ 1190 | ≈ 0         | RM10-P5     |

Core sets of high permeability grades.  
Clamping force for Al measurements,30+/-10N

| Grade | AL (nH)       | μ e    | AIR GAP μ m | Type number |
|-------|---------------|--------|-------------|-------------|
| H7K   | 10700 ± 25%   | ≈ 3930 | ≈ 0         | RM10-H7K    |
| H10K  | 16000+40/-30% | ≈ 5880 | ≈ 0         | RM10-H10K   |

**Properties of core sets under power conditions**

| Grade | B (mT)at                        |                                 | Core loss (w) at                 |                                  |                                 |  |
|-------|---------------------------------|---------------------------------|----------------------------------|----------------------------------|---------------------------------|--|
|       | H=250 A/m<br>F=25KHz<br>T=100°C | F=25 KHz<br>B̄=200mT<br>T=100°C | f=100 KHz<br>B̄=100mT<br>T=100°C | F=100 KHz<br>B̄=200mT<br>T=100°C | F=400 KHz<br>B̄=50mT<br>T=100°C |  |
| P3    | ≥ 320                           | ≤ 0.52                          | ≤ 0.55                           | -                                | -                               |  |
| P4    | ≥ 320                           | -                               | ≤ 0.41                           | ≤ 2.3                            | -                               |  |
| HQ2KA | ≥ 340                           | -                               | ≤ 0.3                            | ≤ 1.8                            | ≤ 0.77                          |  |
| HQ2K  | ≥ 315                           | -                               | ≤ 0.48                           | -                                | ≤ 0.82                          |  |
| P5    | ≥ 315                           | -                               | -                                | -                                | -                               |  |

**Properties of core sets under power conditions (continued)**

| Grade | B (mT)at                        |                                 | Core loss (w) at                 |                                 |                                 |                                |
|-------|---------------------------------|---------------------------------|----------------------------------|---------------------------------|---------------------------------|--------------------------------|
|       | H=250 A/m<br>F=25KHz<br>T=100°C | F=500 KHz<br>B̄=50mT<br>T=100°C | F=500 KHz<br>B̄=100mT<br>T=100°C | F=1.0 MHz<br>B̄=30mT<br>T=100°C | F=1.0 MHz<br>B̄=50mT<br>T=100°C | F=3.0MHz<br>B̄=10mT<br>T=100°C |
| P3    | ≥ 320                           | -                               | -                                | -                               | -                               |                                |
| P4    | ≥ 320                           | -                               | -                                | -                               | -                               |                                |
| HQ2KA | ≥ 340                           | ≤ 1.5                           | -                                | -                               | -                               |                                |
| HQ2K  | ≥ 315                           | -                               | -                                | -                               | -                               |                                |
| P5    | ≥ 315                           | ≤ 0.6                           | ≤ 4.5                            | -                               | -                               |                                |

**Note:**

- 1:Document is the property of FUAN Inc & is not allow to be duplicated without authorization
- 2:RoHS compliant.